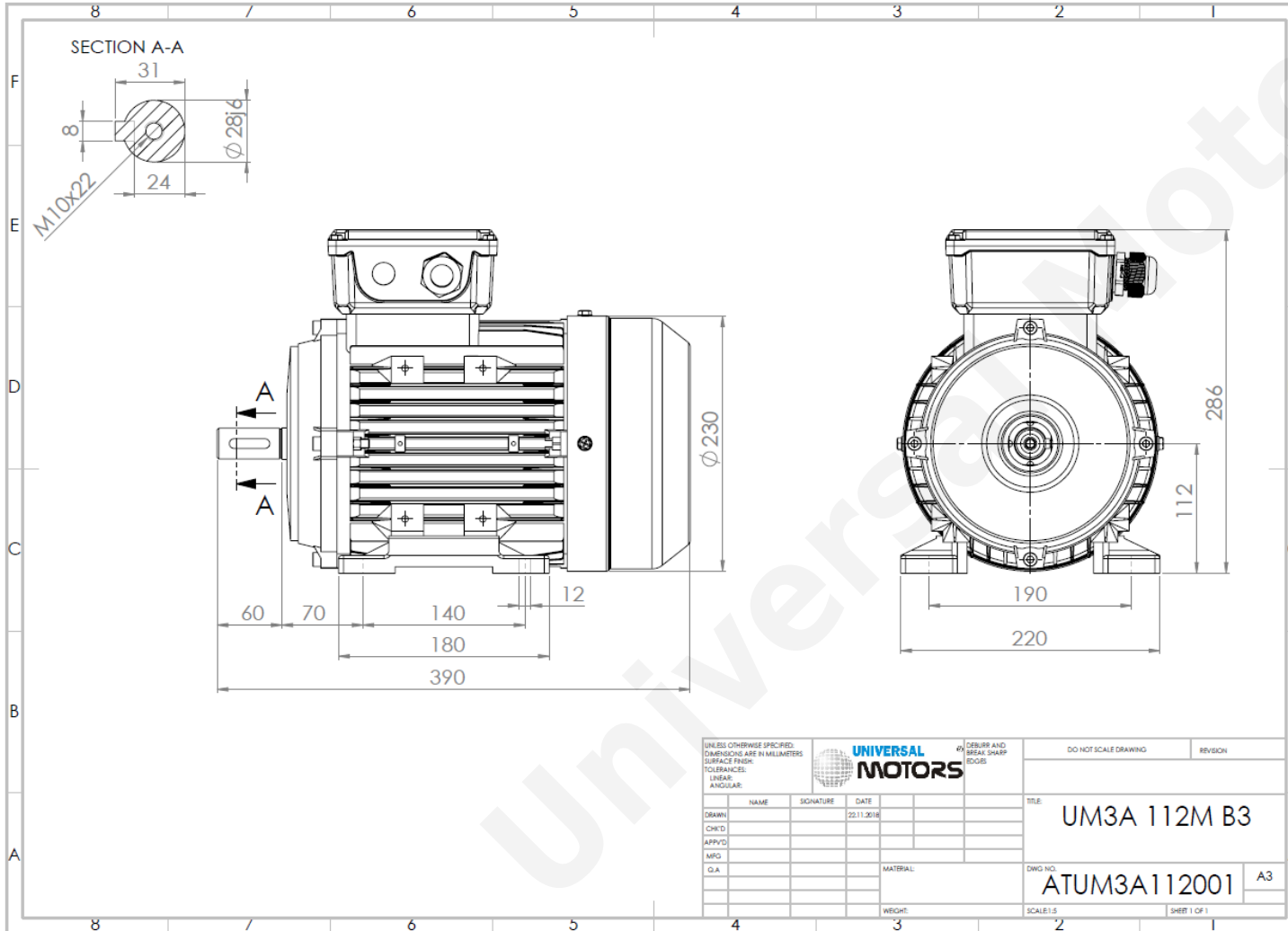




TECHNICAL DATA

Three Phase Electric Motors - Aluminum Frame
 PE31 112M-8
 1.5 kW / 2 Cv
 710 RPM



Motor type:	PE31 112M-8
Output:	1.5 kW / 2 Cv
Speed (min ⁻¹):	710 RPM
Frequency:	50 Hz
Voltage:	400 V
Current:	3.9 A
Power factor (Cos Ø):	0.701
Poles:	8
Insulation class:	F
Temperature rise Class:	B
Efficiency 50%:	79.7 %
Efficiency 75%:	88.4 %
Efficiency 100%:	86.7 %
Torque:	20.2 N.m
Tstarting/Tnominal:	2.0
Istarting/Inominal:	4.5
Tmaximum/Tnominal:	2.4
Noise:	64 Db(A)
Weight:	29.5 Kg
Bearing DE:	6306 2Z C3
Bearing NDE:	6306 2Z C3

Regime - S1

Altitude - 1000m

Environment Temperature - 40°C

CONTACTS:

UNIVERSAL MOTORS Tel: +351 252 299 080
 Rua de São Brás,745 Fax: +351 252 299 089
 4480-782 VILA DO CONDE Mail: geral@universalmotors.pt

* References applied only in the UK